

Wall systems

CATALOGUE

Wall rails / Monitor & Infusion carrying systems

**Different rooms
and different walls – one
solution:**

**Provita's wall rail
systems – providing tidy
and functional fixation
of medical equipment
by your side.**

**We manufacture our wall rail systems
for hospital wards or physicians' offices – exactly
according to your wishes.**



The provita wall systems



fast

flexible

organized

We offer proven solutions for a wide range of applications



Wall rails

Medical rails for space-saving device management



IV-Poles

Professional infusion management on medical rails



Wall rail carts

Pivoting, mobile device carrier system for infusion and device management



Infusion and pump carrier systems

Practical and user-friendly infusion management



Monitor carrying systems

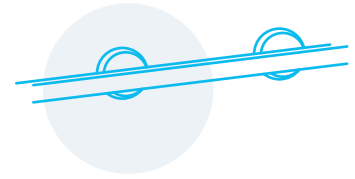
Carrier systems for efficient monitoring fixation in everyday clinical practice



Assembly & Accessories

Miscellaneous accessories for the extension of the wall rail system

Wall rails



The stable wall rail for flexible equipment

Flexible device management
on any wall, in any room.



MEDICAL RAIL
Load capacity
up to 100 kg
per metre

High-quality
rail profile in
accordance to
an edge contour
standards

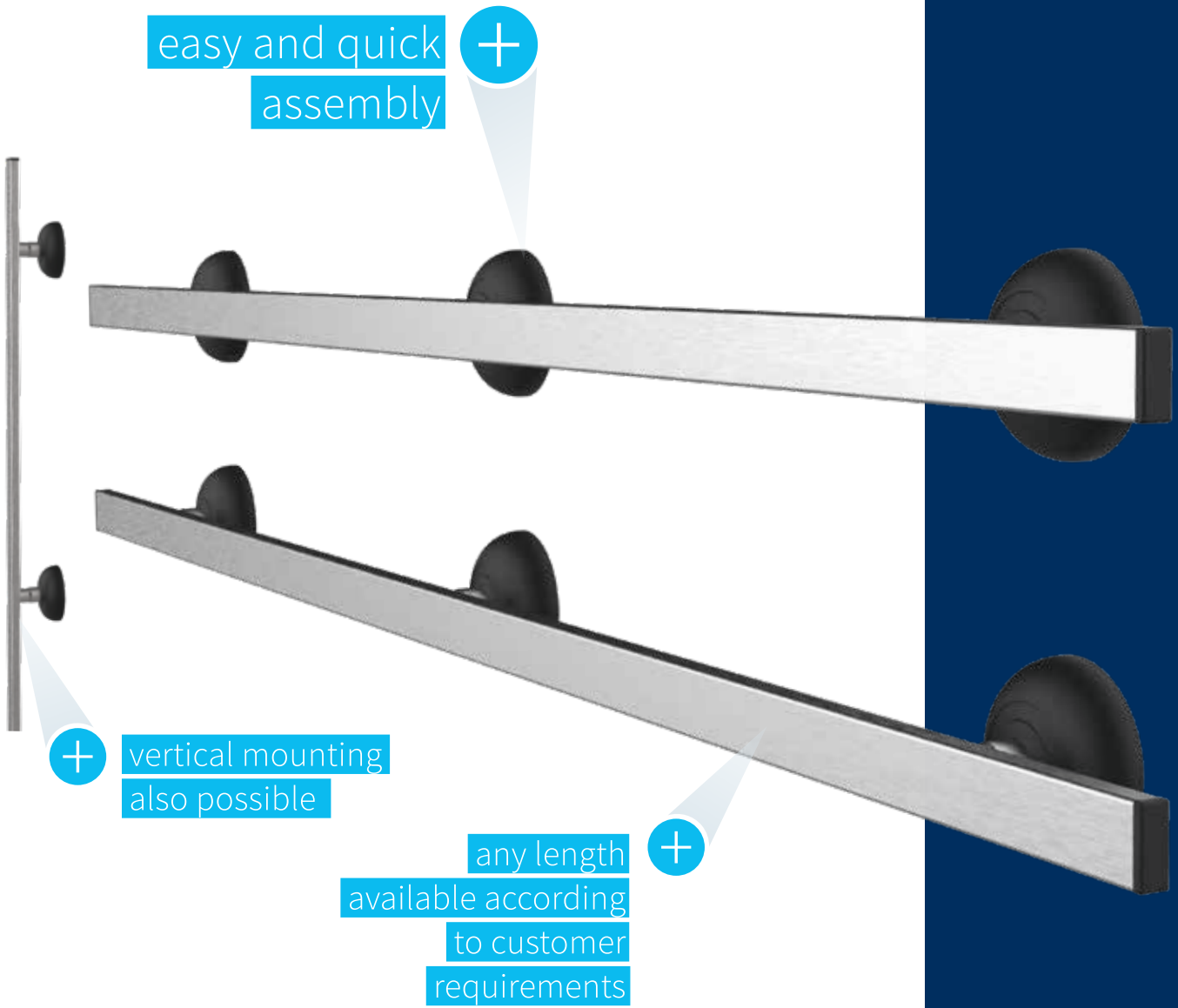
Stainless steel
(1.4301) for best
hygienic properties

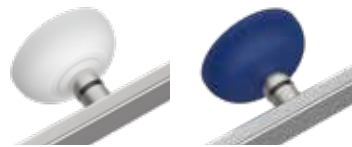
Material Stainless steel

Any Length through connectors
(max. 4000 mm in one piece)

Load capacity 100.0 kg / m

Wall rails
Medical rail





MEDICAL RAIL

Easy installation

Material Stainless steel

Cover and end caps Plastic / black

Rail profile 25 × 10 × 1.5 mm

Load capacity max. 100.0 kg (per metre)

Surface sanded

Weight approx. 1.5 kg (per metre)

Special feature special and in-between lengths are also possible (with 1 grounding fixation at each rail)

Medical rail, please specify desired length Z2N27242

Plastic parts available in white or blue colour (without extra cost)

Optional cover in stainless steel (subject to surcharge) (Z2N06242)



Optional: adaptable positioning grounding box (subject to surcharge) (Z2N06132)

Connector (E2N4464-)



On customer request, we are also able to modify the distance between wall and rail.
Calculation of the number of bolts per rail = rail length / bolt space rounded to the nearest total number. Standard bolt space: 400 mm. Other bolt spaces on request (e.g: 500 mm or 600 mm – the load capacity is reduced with a bolt space of 500 or 600 mm). We reserve the right to provide rails larger than 3,000 mm with appropriate connectors.



For technical data see provita.de

NEW

MEDICAL RAIL WITH CLIP PLASTIC COVER Easy to retrofit



huge
time saving of
approx. 1 min./
metre

Medical rail with clip plastic cover,
Please specify desired length Z2N27252

provita
COMPANY PRODUCTS BLOG NEWS SERVICE

Medical rail - planning tool

1. Enter general project information

Company name: Project name: Realization time:

2. Add wall-rails

Quantity	Length	Maximum length of a section	Minimum distance between the bolts	Minimum distance between bolts and rail end	Selection of covering clip	Room number
<input type="text"/>	<input type="text"/>	<input type="text"/>	<input type="text"/>	<input type="text"/>	<input type="text"/>	<input type="text"/>

Add additional comments or special requests to this position

- Add position
- Delete last position
- Delete all positions

3. Submit configuration as rebuilding inquiry to provita

Customer number: Company name: First name:

Last name: E-Mail address: Phone number:

Street / House number: Postal code: City: Country:

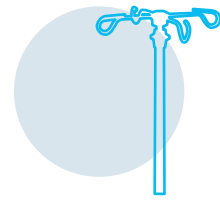
I have read the data protection information.

Generate configuration email and external presentation

easy to configure
online with our
planning tool:

[PROVITA.DE/RAILPLANNER](https://provita.de/railplanner)

IV-Poles



High-quality IV-Poles for every field of application

The matching wall rail IV-Poles
to your requirements.



INFUSION POLES Versatile & flexible

Material Stainless steel / Aluminium

Load capacity 2.0 kg / hook

Stepless height
adjustment

Stainless steel
(1.4301) for best
hygienic properties

Here you see two types of our
height adjustment (screw & single
handed system - the "original")

Wall rail poles
IV-Poles



Wall rail poles
IV-Poles



INFUSION POLE
With 2 wall
brackets

- Material** Stainless steel
- Tube diameter** 25/18 mm
- Length of outer tube** 1,200 mm
- Colour of covers** white
- Angled** 2 × 90°
- Parallel offset** 300 mm
- Distance between wall and tube centre** 120 mm
- Height adjustment** Screw system
- Bottle holder** Stainless steel 4 hooks
- Regulating range** approx. 1,460–2,000 mm
- Load capacity** 2.0 kg / hook
- Total weight** 2.5 kg

I2002612

INFUSION POLE
Straight

- Material** Stainless steel
- Tube diameter** 25/18 mm
- Length of outer tube** 1,000 mm
- Height adjustment** Screw and Single-handed system
- Bottle holder** Stainless steel 4 safety hooks
- Regulating range** approx. 1,180–2,020 mm
- Load capacity** 2.0 kg / hook
- Total weight** 2.0 kg

Single-handed system

I1000422

Screw system

I2000422

INFUSION POLE
55° angled

- Material** Stainless steel
- Tube diameter** 25/18 mm
- Length of outer tube** 1,000 mm
- Angled** 1 × 55°
- Parallel offset** 300 mm
- Height adjustment** Screw system
- Bottle bar** Stainless steel 4 safety hooks
- Regulating range** approx. 1,250–1,800 mm
- Load capacity** 2.0 kg / hook
- Total weight** 2.9 kg

I2000572

optional: for wall rail clamps and more see accessories

Wall rail poles IV-Poles



INFUSION POLE 90° angled

Material Stainless steel

Tube diameter 25/18 mm

Angled 2 × 90°

Parallel offset 300 mm

Height adjustment Screw system

Bottle bar Stainless steel 6 hooks

Load capacity 2.0 kg / hook

Total weight 3.0 kg

1,000 mm outer tube

Regulating range approx. 1,270 – 2,115 mm I2000552

1,500 mm outer tube

Regulating range approx. 1,780 – 2,400 mm I2000562

INFUSION POLE Stainless steel tubes acc. to DIN EN 10217-7

Material Stainless steel / Aluminium

Tube diameter 18/14 mm

Length of outer tube 800 mm

Height adjustment Single-handed system

Bottle holder Stainless steel 3 hooks – 2.0 kg / hook

Regulating range approx. 1,150 mm – 1,700 mm

Total weight 1.9 kg

Equipped with wall rail clamps, drip glass and holder, for mounting on medical rail 25 × 10 mm

Without wall support

I1000502

With wall support

I1000522

INFUSION POLE With light-resistant plastic parts

Material Stainless steel / Aluminium

Tube diameter 25/18 mm

Length of outer tube 1,000 mm

Bottle holder Stainless steel 3 hooks – 2.0 kg / hook

Regulating range approx. 1,000 – 2,000 mm

Total weight 1.73 kg

Equipped with wall rail clamp and wall support, for mounting on medical rail 25 × 10 mm

Single-handed system

I1002112

Screw system

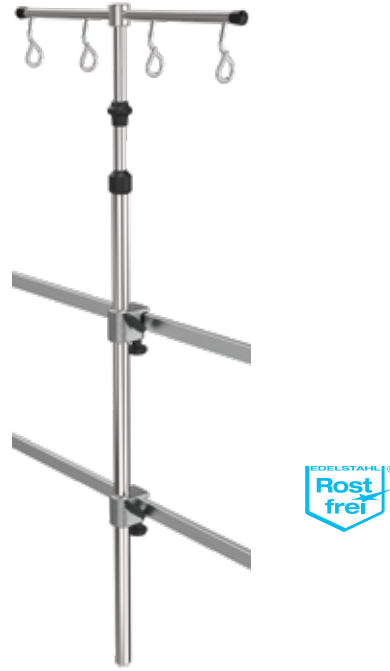
I2000112



For technical data
see provita.de

Wall rail poles

IV-Poles



INFUSION POLE Angled

Material Stainless steel / Aluminium

Tube diameter 25 / 18 mm

Length of outer tube 600 mm

Angled 2 × 45°

Parallel offset approx. 350 mm

Bottle holder Stainless steel 4 hooks – 2.0 kg / hook

Regulating range approx. 1,180–1,510 mm

Total weight 1.45 kg

Equipped with wall rail clamp and wall support, for mounting on medical rail 25 × 10 mm

Single-handed system

With additional screw height adjustment as anti-swivel protection I1002212

With additional screw height adjustment as anti-swivel protection, with bottle cross I1002262

Screw system

with bottle cross I2002012

with bottle bar I2002022

optional: for wall rail clamps and more see accessories

INFUSION POLE With integrated pull-out stopper

Material Stainless steel / Aluminium

Tube diameter 25 / 18 mm

Length of outer tube 800 mm

Bottle bar Stainless steel 4 hooks – 2.0 kg / hook

Regulating range approx. 1,000–1,600 mm

Total weight 2.03 kg

Equipped with 2 wall rail clamps, for mounting on medical rails 25 × 10 mm

Single-handed system

I1002712

Screw system

I2003112

Wall rail poles

IV-Poles



INFUSION ROD Safety hooks acc. to standards

Material Stainless steel / Aluminium

Tube diameter 25 mm

Length 1,500 mm

Bottle bar Stainless steel 4 hooks – 2.0 kg / hook

Total weight 1.5 kg

Equipped with 2 wall rail clamps, for mounting on medical rails
25 x 10 mm

I0001502

INFUSION POLE With two extension clamps

Material Stainless steel / Aluminium

Tube diameter 38/25 mm

Length of outer tube 1,000 mm

Angled 2 x 90°

Parallel offset 350 mm

Height adjustment Single-handed system with additional
screw system as anti-swivel protection

Bottle bar Stainless steel 4 safety hooks

Load capacity 2.0 kg / hook

Total weight 6.0 kg

Equipped with 2 wall rail clamps, for mounting on medical rails
25 x 10 mm*

I1002612

*Extensions clamps are available in other length as an option



For technical data
see provita.de

Wall rail poles

IV-Poles



ICU UNIT

**Height adjustment
comfort**

Material Stainless steel / Aluminium

Height adjustment Single-handed system

Bottle bar Stainless steel 4 or 6 hooks – 2.0 kg / hook

Regulating range 370 mm

Total weight approx. 2.1 kg

Equipped with wall rail clamp for mounting on medical rail or with mounting clamp for mounting on round tube 25 mm or 38 mm

With 4 hooks

For medical rail I1009272

For round tube upon request

With 6 hooks

For medical rail I1009292

For round tube upon request

INFUSION HOLDER

**Space-saving
infusion supply**

Material Stainless steel / Aluminium

Bottle bar Stainless steel 4 hooks – 2.0 kg / hook

Total weight approx. 1.8 kg

Equipped with wall rail clamp and wall support, for mounting on medical rail 25 × 10 mm

M0009004



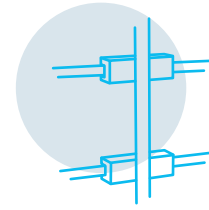
For technical data
see provita.de

Wall rail poles
IV-Poles



implementing
individual
solutions

Wall rail cart



Easy to change position with our mobile systems

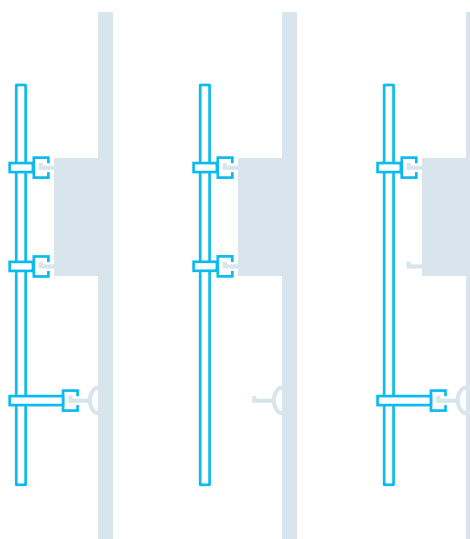
For holding pumps, monitors
and other medical devices.

WALL RAIL CART Flexible positioning

Material Stainless steel / Aluminium

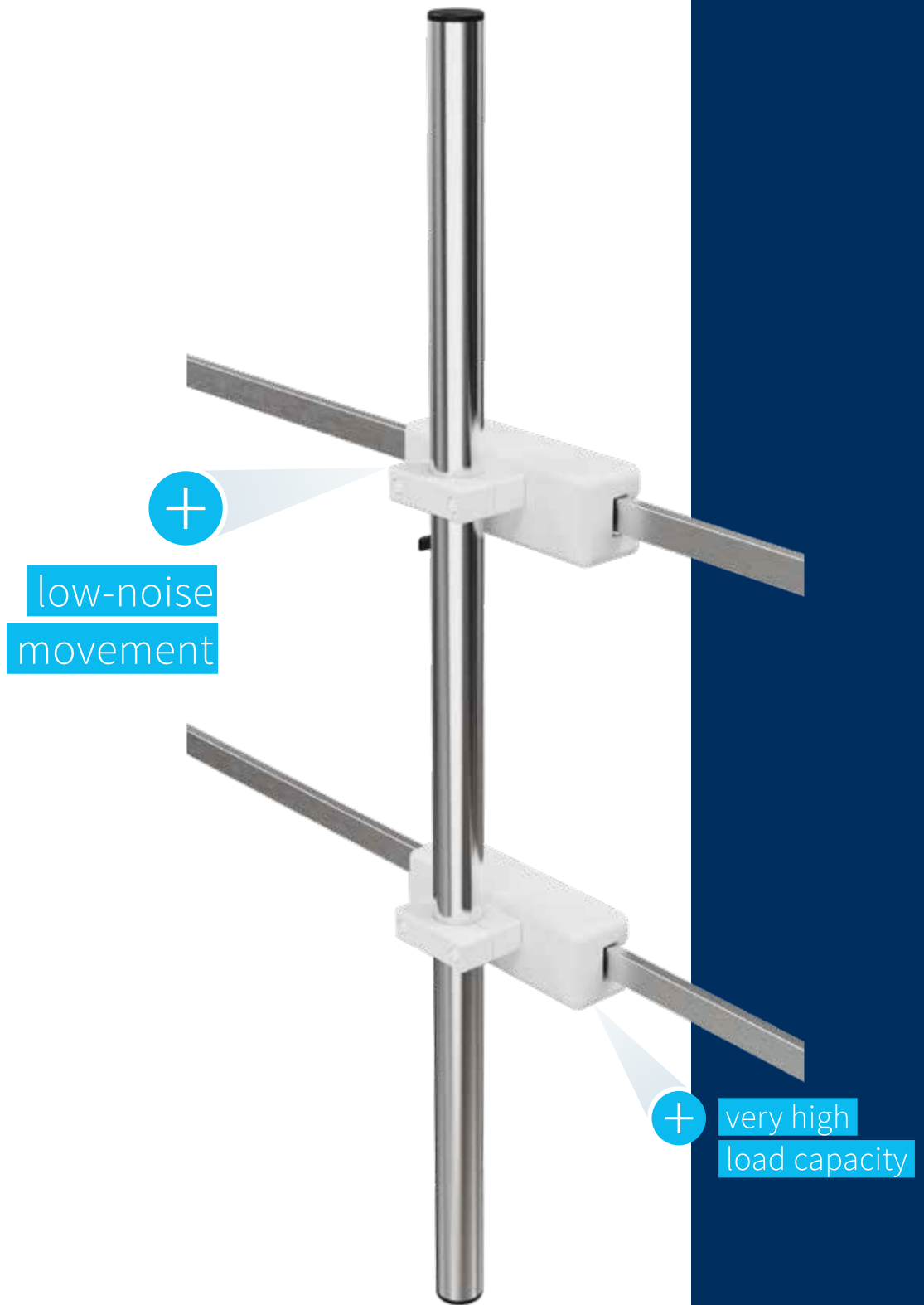
Load capacity 75.0 kg

Regulating range
1,100 – 1,900 mm



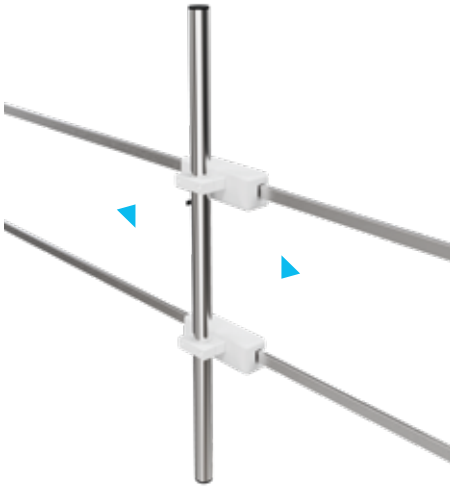
The wall rail systems can be
mounted in different ways
and different distances to
the wall.

Wall rail cart
Wall rail cart



Wall rail cart

Wall rail cart



WALL RAIL CART A

With carrier tube

Carriage material Aluminium

Carrier tube material Stainless steel

Tube diameter 38 mm

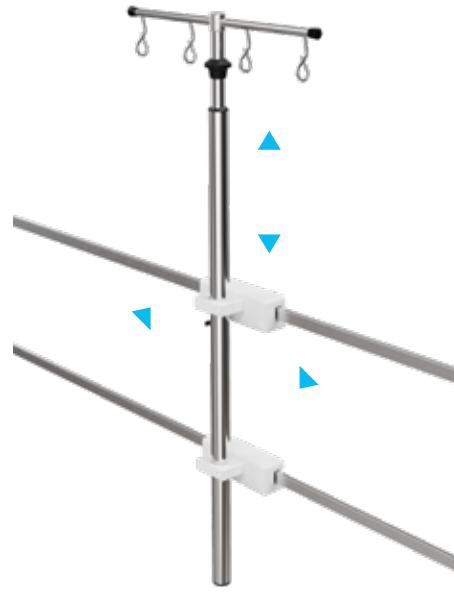
Carriage colour white

Length of outer tube 1,000 mm

System load capacity 75.0 kg

Equipped with 2 complete carriages and one carrier tube

Z2N0214A



WALL RAIL CART B

With infusion pole

Carriage material Aluminium

Carrier tube material Stainless steel

Tube diameter 38 mm

Carriage colour white

Length of outer tube 1,000 mm

System load capacity 75.0 kg

Total weight approx. 4.2 kg

Equipped with 2 complete carriages and one infusion pole

Height adjustment Single-handed system

Bottle bar Stainless steel 4 hooks

Height adjustment 1,100 – 1,900 mm

Z2N0224A

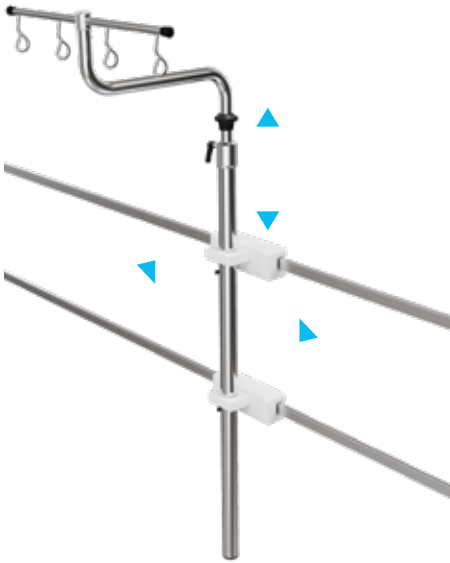
Caution:

Wall rails must be mounted exactly parallel to each other, with clamping lever brake on the upper carriage



Caution:

Please order stopper set separately (Z2N0628A)



WALL RAIL CART C With angled infusion pole*

Carriage material Aluminium

Carrier tube material Stainless steel

Tube diameter 38 mm

Carriage colour white

Length of outer tube 1,000 mm

System load capacity 75.0 kg

Total weight approx. 4.2 kg

Equipped with 2 complete carriages and one angled infusion pole

Height adjustment Single-handed system with additional screw system as anti-swivel protection

Bottle bar Stainless steel 4 hooks

Height adjustment 1,325 – 1,850 mm

Z2N0225A



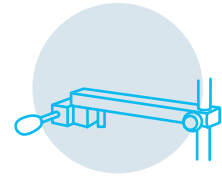
* to protect the devices from liquids



For technical data
see provita.de

Infusion and pump carrier systems

All devices within reach



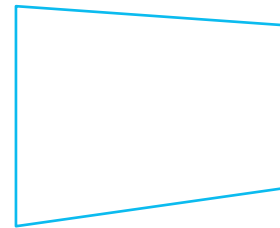
For practical and
user-friendly infusion
& device management.



**MOUNTING
ON A WALL RAIL**
Vertical

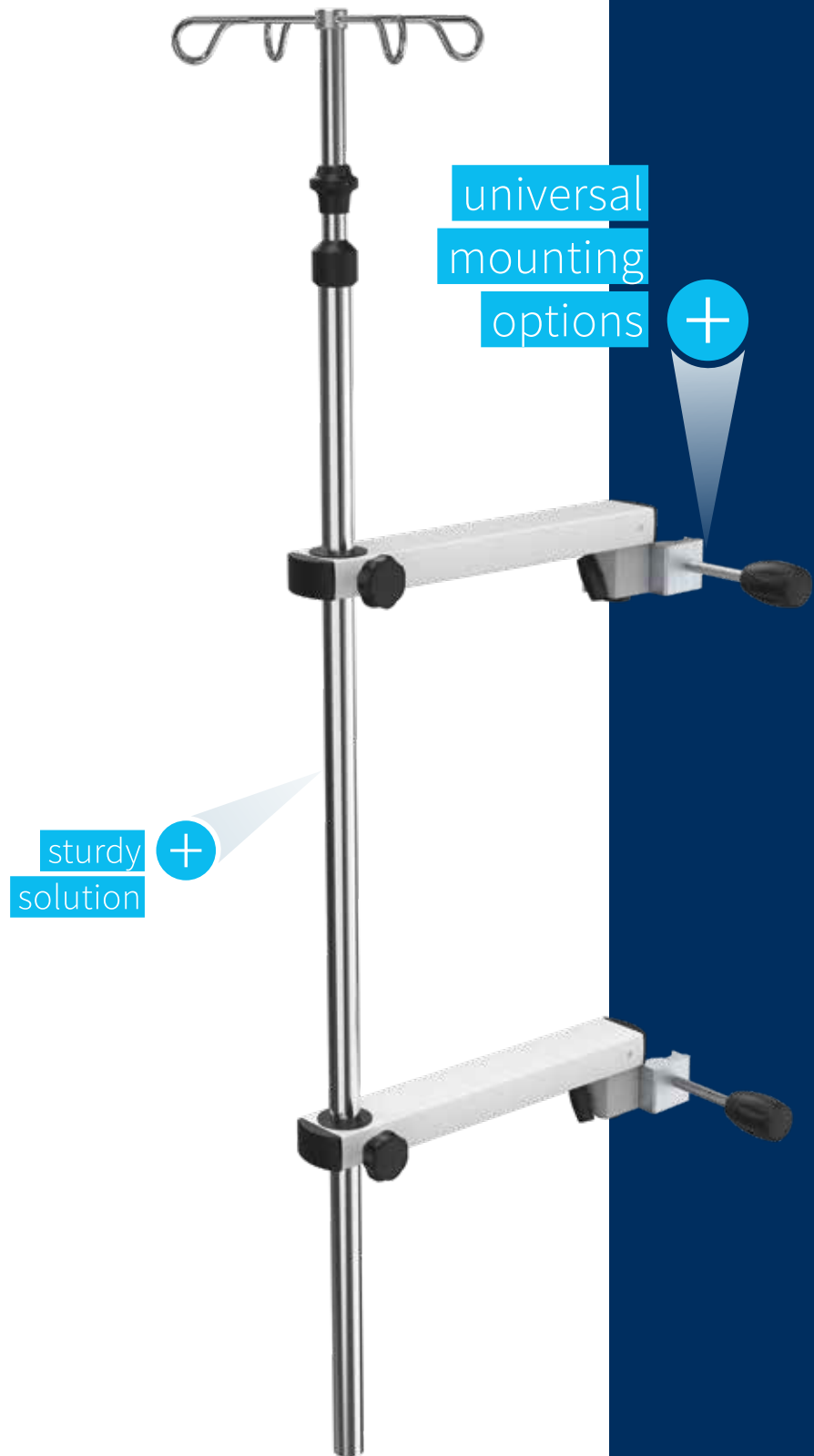


**MOUNTING
ON A ROUND TUBE**
Different diameters



**MOUNTING
ON THE WALL**

Carrier systems
Infusion and pump carrier systems



Carrier systems
 Infusion and pump carrier systems



**INFUSION
 CARRIER SYSTEM**
Single

Material Stainless steel / Aluminium

Regulating range 1,200 – 2,050 mm

Equipped with 2 pivoting support arms with universal clamp and a single-handed system infusion pole

Bottle holder 4 hooks

Support arm length 300 mm

Total weight approx. 5.0 kg

I9900312

**INFUSION
 CARRIER SYSTEM**
Double

Material Stainless steel / Aluminium

Regulating range 1,200 – 2,050 mm

Equipped with 2 infusion poles with single-handed system for mounting on a central tube Ø 38 mm

Bottle holder 4 hooks

Support arm length 300 mm

Total weight approx. 7.9 kg

I9900412

**EQUIPMENT
 CARRIER SYSTEM**
Rotatable

Material Stainless steel / Aluminium

Carrier tube length 1,000 mm

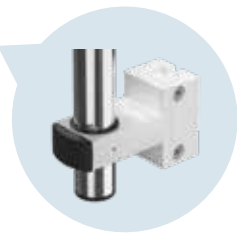
Equipped with one support tube and two universal clamps

2 rotating arms 300 mm

Total weight approx. 2.9 kg

Z2N6643S

Carrier systems
Infusion and pump carrier systems



DEVICE CARRIER SYSTEM
For vertical rails

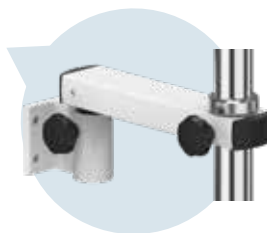
Material Stainless steel / Aluminium

Carrier tube length 700 mm

Equipped with one support tube and two height adjustable mounting clamps

Total weight approx. 2.3 kg

Z2N6645A



EQUIPMENT CARRIER TUBE
Rotatable for wall mounting

Material Stainless steel / Aluminium

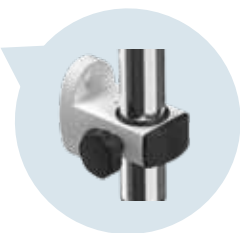
Carrier tube length 1,000 mm

Equipped with one support tube and two wall brackets with two rotatable extension arms

Support arm length 200 mm

Total weight approx. 3.0 kg

Z2N6647A



DEVICE CARRIER TUBE
For wall mounting

Material Stainless steel / Aluminium

Carrier tube length 1,000 mm

Equipped with one support tube and two wall brackets

Total weight approx. 2.3 kg

Z2N6646A

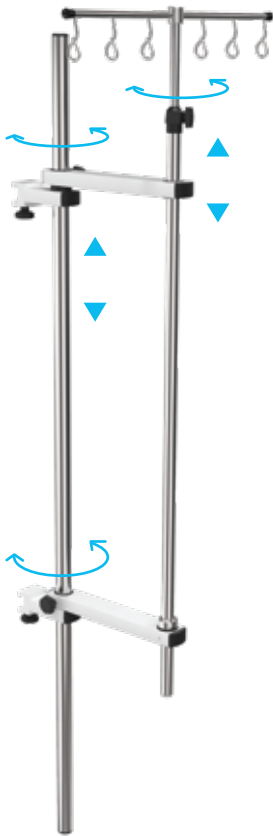
Can also be set up as a vertical support system



For technical data see provita.de

Carrier systems
IWS and DUO-LOCK system





IWS UNIT

For infusion and syringe pumps
as well as infusion bottles

Material Stainless steel / Aluminium

Regulating range 1,500 – 2,450 mm

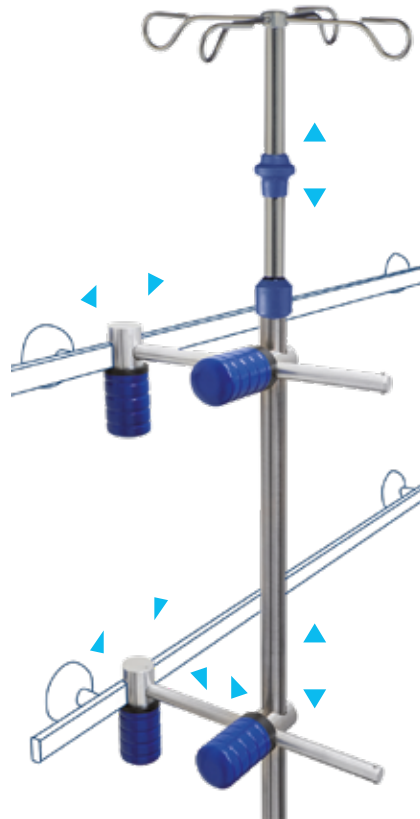
Equipped with one support tube Ø 33.7 mm, 2 horizontal swivel arms, 2 extension clamps for wall rail, 1 infusion pole with screw system, bottle bar with 6 hooks

Bottle bar Stainless steel 4 hooks

Load capacity 2.0 kg per hook / 25.0 kg system

Total weight approx. 9.0 kg

I9971702



DUO-LOCK SYSTEM

Horizontal and
vertical adjustment

Material Stainless steel / Aluminium

Regulating range approx. 1,500 – 2,350 mm

Equipped with 2 Duo-Lock systems with quick hand fasteners and one single-handed system infusion pole

Bottle holder Stainless steel 4 hooks

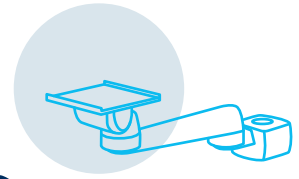
Load capacity 2.0 kg per hook / 10.0 kg overall system

I-DULO01



For technical data
see provita.de

Monitor carrier systems



Carrier systems for efficient monitoring in everyday clinical practice

The right swivel and support arms
for your requirements.



**MOUNTING
ON A WALL RAIL**
Horizontal



**MOUNTING
ON ROUND TUBES**
Ø 25 – 42 mm

Monitor carrier systems
Wall rails

for all kind of
monitor brands



different options



optimal
hygienic properties



FIXED HEIGHT SWIVEL ARM
Easy mounting
on wall rail or round tube

Max. weight load 23 kg

Max. monitor weight 14 kg

Support arm length 250 mm

Swivel range on wall side $\pm 90^\circ$

Swivel range on monitor side $\pm 90^\circ$

Tilting range $\pm 20^\circ$

Colour RAL 7035 light grey



For mounting
on wall rail

A Weight approx. 2.27 kg Z-DOCK60

B Weight approx. 2.42 kg Z-DOCK62

C Weight approx. 2.55 kg Z-DOCK64



For mounting on round
tubes \varnothing 35 – 38 mm

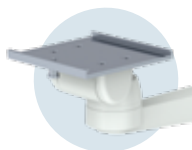
A Weight approx. 2.33 kg Z-DOCK61

B Weight approx. 2.48 kg Z-DOCK63

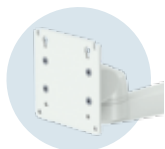
C Weight approx. 2.61 kg Z-DOCK65



A
for »PHILIPS« IntelliVue
MP5-70 and MX400-800
monitors



B
for monitors with uni-
versal adapter (GE,
Dräger, ...)



C
for monitors and
bracket VESA 75 / 100



HEIGHT ADJUSTABLE SWIVEL ARM
For » PHILIPS « IntelliVue
MP5-70 monitors

Carrier arm length 300 mm

Swivel range on wall side $\pm 80^\circ$

Swivel range on monitor side $\pm 50^\circ$

Tilting range $\pm 15^\circ$

Height adjustment range 460 mm

Colour RAL 7035 light grey

Weight approx. 6 kg

For mounting on wall rail

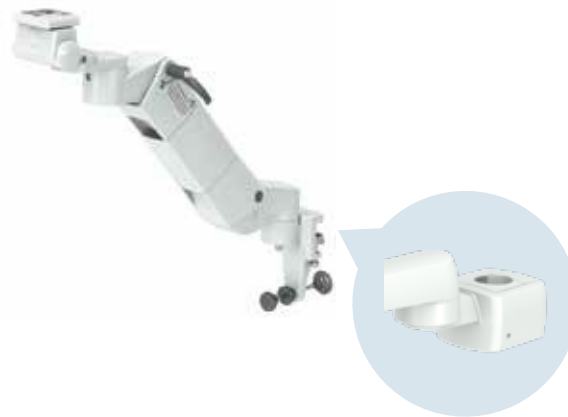
Weight 3 – 10 kg Z-DOCK66

Weight 8 – 14 kg Z-DOCK67

For mounting on round tubes \varnothing 25 – 42 mm

Weight 3 – 10 kg Z-DOCK69

Weight 8 – 14 kg Z-DOCK70



HEIGHT ADJUSTABLE SWIVEL ARM
For » PHILIPS « IntelliVue
MX400-500 monitors

Weighing range 3–10 kg

Carrier arm length 300 mm

Swivel range on wall side $\pm 80^\circ$

Swivel range on monitor side $\pm 50^\circ$

Tilting range $\pm 15^\circ$

Height adjustment range 460 mm

Colour RAL 7035 light grey

For mounting on wall rail

Weight approx. 6 kg Z-DOCK68

For mounting on round tubes \varnothing 25 – 42 mm

Weight approx. 6.17 kg Z-DOCK71



For technical data
 see provita.de



HEIGHT ADJUSTABLE SWIVEL ARM
For monitors with universal adapter
(GE, Dräger, ...)

Support arm length 300 mm

Swivel range on wall side $\pm 80^\circ$

Swivel range on monitor side $\pm 90^\circ$

Tilting range $\pm 15^\circ$

Height adjustment range 460 mm

Colour RAL 7035 light grey

Weight approx. 6 kg

For mounting on wall rail

Weight 3 – 10 kg Z-DOCK72

Weight 8 – 14 kg Z-DOCK73

For mounting on round tubes $\varnothing 25 - 42$ mm

Weight 3 – 10 kg Z-DOCK74

Weight 8 – 14 kg Z-DOCK75



HEIGHT ADJUSTABLE SWIVEL ARM
For monitors and bracket
VESA 75 / 100

Support arm length 300 mm

Swivel range on wall side $\pm 80^\circ$

Swivel range on monitor side $\pm 90^\circ$

Tilting range $\pm 20^\circ$

Rotation range $\pm 5^\circ$

Height adjustment range 460 mm

Colour RAL 7035 light grey

Weight approx. 6 kg

For mounting on wall rail

Weight 3 – 10 kg Z-DOCK76

Weight 8 – 14 kg Z-DOCK77

For mounting on round tubes $\varnothing 25 - 42$ mm

Weight 3 – 10 kg Z-DOCK78

Weight 8 – 14 kg Z-DOCK79



For technical data
 see provita.de

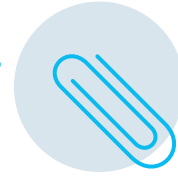
**You have questions
about our systems?**

**Just give us a call.
We will be glad
to help you personally.**

+49 (0) 21 93 / 51 05 - 0



Assembly & Accessories



Everything you need for mounting and the right accessories

For the completion and modification
of your wall rails.



EXTENSION CLAMP

For mounting on round tube
(Ø 25, Ø 33,7, Ø 38 mm)

Material Aluminium

Distance medical rail – round tube
100 mm

Colour white

Weight approx. 0.5 kg

For round tube Ø 38 mm Z2N09112

For round tube Ø 33.7 mm Z2N09122

For round tube Ø 25 mm Z2N09132



CLAMPS

For mounting lamps, poles and other
accessories, for mounting on medical
rail 25 × 10 mm

Material Aluminium, ball-polished

Weight approx. 0.4 kg

With grub screw, with fixture entry
Ø 18 mm Z2N0643W

With T-screw, with fixture entry
Ø 18 mm Z2N0647W

With T-screw, with fixture entry
Ø 25 mm Z2N0650W



WALL RAIL CLAMP KIT

With fixture entry for round tube
Ø 25 mm, for bridging unevenly deep
wall rails

Material Aluminium

Colour white

Weight approx. 0.8 kg

Special feature 1 adjustable
clamp (100 – 200 mm), 1 clamp with
fixed length

Z2N0618A

Assembly & Accessories

Wall rails



STOPPER KIT FOR WALL RAIL

For medical rail 25 × 10 mm

Material Aluminium

Colour white

For wall rail carts

Z2N0628A



CLAMP WITH QUICK-RELEASE LEVER

For mounting
on medical rail 25 × 10 mm

Material Aluminium, anodized

Weight approx. 0.1 kg

Z2N0932W



UNIVERSAL CLAMP

For medical rails and round tubes up
to Ø 40 mm, with four holes

Material Aluminium

Total weight approx. 0.3 kg

Z2N6638W



UNIVERSAL CLAMP WITH FIXTURE ENTRY BLOCK

For mounting on medical rails
25 × 10 mm or round tubes up to Ø 40 mm

Material Aluminium

Total weight approx. 0.45 kg

Fixture entry for round tube Ø 18 mm
Z2N6642S

Fixture entry for round tube Ø 25 mm
Z2N6641S

Holder for lamp pivot Z2N6639S



MEDICAL RAIL WITH UNIVERSAL CLAMP

For mounting infusion pumps and
other medical devices

Material Stainless steel / Aluminium

Profile 25 × 10 mm

Length 350 mm

Total weight approx. 0.85 kg

Z2N0684S



CARRIER TUBE WITH UNIVERSAL CLAMP

Universal holder for medical
equipment, for mounting on
horizontal medical rails

Material Stainless steel

Tube length 500 mm

Tube diameter 25 mm

Total weight approx. 0.9 kg

Z2N6644S



For technical data
see provita.de



PUMP HOLDER

With wall rail clamp for mounting on medical rails 25 × 10 mm

Material Stainless steel / Aluminium

Tube diameter 25 mm

Length 500 mm

Weight approx. 0.95 kg

Z2N07162



WASTE BAG HOLDER

With wall rail clamp for mounting on medical rails 25 × 10 mm

Material Stainless steel / Aluminium

Size 245 × 385 × 185 mm (W × H × D)

Weight approx. 2.0 kg

Special feature includes 3 waste bags

Z2N06202



BASKET WITH CLAMP

With wall rail clamp for mounting on medical rails 25 × 10 mm

Material Steel, coated

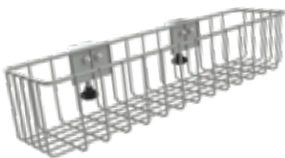
Clamp material Aluminium

Colour light grey

Size 250 × 90 × 200 mm (W × D × H)

Weight approx. 0.7 kg

Z2S0665N



BASKET WITH 2 CLAMPS

With two wall rails clamps, for mounting on medical rails 25 × 10 mm

Material Steel, coated

Clamp material Aluminium

Colour light grey

Size 500 × 120 × 100 mm (W × D × H)

Weight approx. 1.15 kg

Z2S0666N



TRAY

With two wall rail clamps, with edge protection

Material Stainless steel / Aluminium

Tray size 300 × 250 mm

Load capacity 4.0 kg

Weight approx. 2.75 kg

Z2N07332



GLOVE BOX HOLDER 3-FOLD FOR MEDICAL RAIL

With wall rail clamp for mounting on medical rails 25 × 10 mm

Material Stainless steel / Aluminium

Size outer dimensions

240 × 403 × 99 mm (W × D × H)

Size inner dimensions (per shelf)

240 × 132 × 96 mm (W × D × H)

Weight approx. 2.5 kg

Z2N65522

Assembly & Accessories

Wall rails



GLOVE BOX HOLDER 2-FOLD FOR MEDICAL RAIL

With wall rail clamp for mounting on medical rails 25 × 10 mm

Material Aluminium, coated

Colour silver

Size 280 × 270 × 100 mm (W × D × H)

Weight approx. 1.3 kg

Z2N09353



GLOVE BOX HOLDER 3-FOLD FOR MEDICAL RAIL

With wall rail clamp for mounting on medical rails 25 × 10 mm

Material Aluminium, coated

Colour silver

Size 390 × 260 × 100 mm (W × D × H)

Weight approx. 1.5 kg

Z2N09363



CATHETER BASKET FOR MEDICAL RAIL

Material Stainless steel, electropolished

Mounting Two hooks for medical rail

Weight approx. 0.5 / 0.8 kg

150 × 100 × 280 mm (W × D × H)
Z2N08122

150 × 100 × 480 mm (W × D × H)
Z2N08132



CATHETER BOX without separating screens

CATBOX 500 (height 500 mm)
Z2N08222

CATBOX 600 (height 600 mm)
Z2N08092

CATBOX 700 (height 700 mm)
Z2N08102

CATHETER BOX with two separating screens (3-fold separation)

CATBOX 500 T (height 500 mm)
Z2N08272

CATBOX 600 T (height 600 mm)
Z2N08072

CATBOX 700 T (height 700 mm)
Z2N08082



CATBOX with window without screens

CATBOX 500 F (height 500 mm)
Z2N08232

CATBOX 600 F (height 600 mm)
Z2N08242

CATBOX 700 F (height 700 mm)
Z2N08252

CATHETER BOX with window and two separating screens (3-fold separation)

CATBOX 500 FT (height 500 mm)
Z2N08262

CATBOX 600 FT (height 600 mm)
Z2N08052

CATBOX 700 FT (height 700 mm)
Z2N08062

CATHETER BOXES

For medical rails 25×10 mm

Material Stainless steel

Mounting welded sheet metal for attachment to the medical rail

Cleaning autoclavable, bottom easy to open due to unlocking mechanism



For technical data
see provita.de



HOSE SUPPORT ARM

With gooseneck arm 360° rotatable

Material Stainless steel/Plastic

Work radius approx. 1190 mm

Fixture pin Ø18 × L35mm

Weight approx. 2.3 kg

Gooseneck arm 200 mm

Z2N06528



ARTICULATED ARM

With hose clamps (Ø approx. 23 mm),
without wall rail clamp

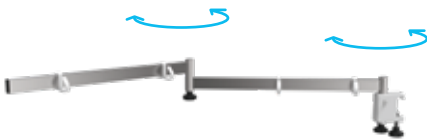
Material Steel, chrome plated

Work radius approx. 1,000 mm

Fixture pin 18 × L 35 mm

Weight approx. 2.0 kg

Z2S06527



CABLE ARM

Double-extension to mount on rail 25 x 10 mm

Material Stainless steel, electropolished

Centre distance approx. 2 × 400 mm

Working radius approx. 800 mm

Weight 1,5 kg

Z2N06832



STORAGE TRAY FOR MEDICAL RAIL

Functional, space-saving foldable

Material Stainless steel / Aluminium

Shelf dimensions approx. 375 × 232 mm

Load capacity approx. 10 kg

For medical rail 25 × 10 mm

Weight approx. 2,6 kg

Z2N07602



SHELF

Without drawer

Material Stainless steel

Shelf size 540 × 360 mm

Tragkraft 40.0 kg

Gewicht ca. 6.0 kg

With two wall rail clamps and wall support Z2N09002

With two wall rail clamps and wall support,
with lateral rails Z2N09032

for wall rail cart

for round tube Ø 38 mm Z2N09042

for wall rail cart with lateral rails Z2N09162



SHELF

With 2 drawers

Tray material Stainless steel

Drawer material Steel, white coated

Shelf size 540 × 360 mm

Drawer size 420 × 310 mm

Drawer height 120 mm

Load capacity 40.0 kg



SHELF

With drawer

Tray material Stainless steel

Drawer material Steel, white coated

Shelf size 540 × 360 mm

Drawer size 420 × 310 mm

Drawer height 120 mm

Load capacity 40.0 kg

Weight approx. 10,1 kg, with 1 drawer Z2N09012

Weight approx. 10,8 kg, with 1 drawer
with lateral rails Z2N09182

for wall rail cart

Weight approx. 10,1 kg, for round tube Ø 38 mm,
with 1 drawer Z2N09152

Weight approx. 10,8 kg, for round tube Ø 38 mm
with 1 drawer and lateral rails Z2N09192

Weight approx. 14,7 kg, with 2 drawers Z2N09022

Weight approx. 15,4 kg, with 2 drawers
and lateral rails Z2N09212

for wall rail cart

Weight approx. 14,7 kg, with 2 drawers Z2N09172

Weight approx. 15,4 kg, for round tube Ø 38 mm
with 2 drawers and lateral rails Z2N09222



For technical data
see provita.de

Assembly & Accessories

Wall rails



MEDICAL RAIL

For round tube \varnothing 38 mm,
height adjustable by using 2 fixing
screws

Material Stainless steel / Aluminium

Profile 25 x 10 mm

Length 558 mm

Weight approx. 0.9 kg

Z2N06512



DEVICE TRAY

For round tube \varnothing 38,
with edge protection

Material Stainless steel / Aluminium

Size 300 x 250 mm

Load capacity 4.0 kg

Weight approx. 2.75 kg

Z2N0754A



CABLE/HOSE HOLDER

Material Plastic

Colour white

For round tube 38 mm Z2K09343

For medical rail 25 x 10 mm
Z2K09353



SWIVEL ARM

With fixture pin \varnothing 25 mm

Material Aluminium

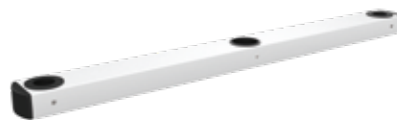
Centre distance 300 mm

Fixture entry for \varnothing 25 mm round tube

Colour white

Weight approx. 1.0 kg

Z2N6650S



SUPPORT ARM

For holding 2 infusion poles 25 mm

Material Aluminium

**Distance from tube entries to the
centre point** 300 mm

Tube support \varnothing 25 mm, \varnothing 38 mm,
 \varnothing 25 mm

Colour white

Weight approx. 1.5 kg

Z2N6651S



MEDICAL PLUGBOARD "VARI MED"

Child proof (increased protection
against accidental contact with the
plugs)

Housing material Aluminium,
anodized

Acc. to standards DIN EN 60601-1-1

4-fold, 2-pole fused Z2K07014



For technical data
see provita.de

Assembly & Accessories

Wall rails



SWIVEL ARM FOR INFUSION POLE

Clamp can be retrofitted

Material Stainless steel / Aluminium

Centre distance 300 mm

Fixture entry for Ø 25 mm round tube

Colour white

Load capacity 25 kg

Z2N6652A



SWIVEL ARM FOR INFUSION POLE

Clamp can be retrofitted

Material Stainless steel / Aluminium

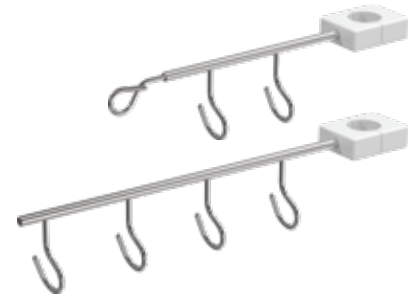
Centre distance 300 mm

Fixture entry for Ø 25 mm round tube

Colour white

Load capacity 25 kg

Z2N6653A



HOOK STRIP

To mount on Ø38 mm round tube

Material Aluminium / Stainless steel

Mounting with doubled-clamp for
Ø 38 mm tube

Colour white

2 hooks Z2N3002A

2 hooks + 1 horizontal hook
Z2N3020A

3 hooks Z2N3003A

3 hooks + 1 horizontal hook
Z2N3030A

4 hooks Z2N3004A

4 hooks + 1 horizontal hook
Z2N3040A



You have further questions?

**We will be glad
to help you personally.**

**Just give us a quick ring:
+49 (0) 21 93 / 51 05 - 0**

**Or e-mail us:
info@provita.de**

For more than 50 years, our family business has been one of the leading manufacturers in medical technology.



personal

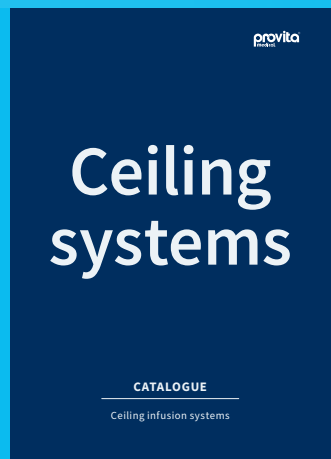
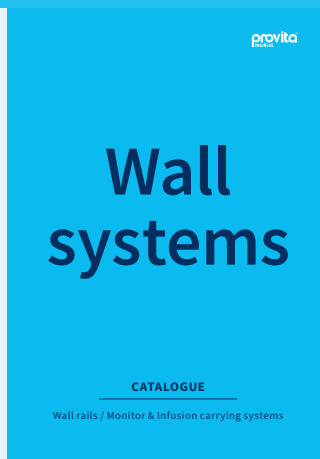
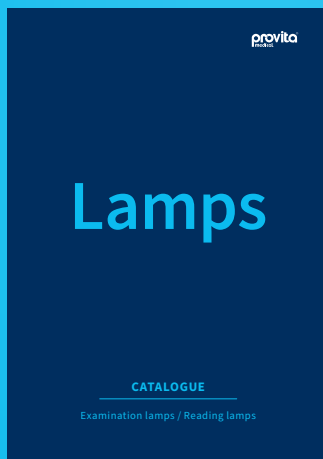
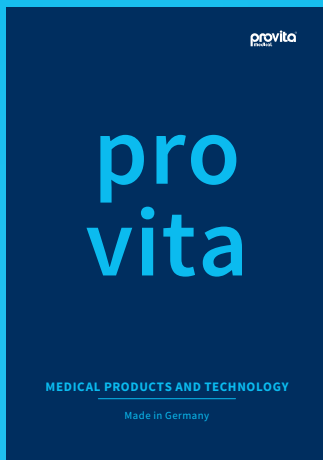
experienced

motivated

Our general terms and conditions apply. Errors, misprints and changes reserved.

© Copyright: provita medical gmbh & co. kg, November 2021

Reproduction as well as duplication, also in extracts, are not permitted without permission of provita medical.



**Auf der Huhfuhr 8
42929 Wermelskirchen
Germany**

**Phone +49 (0) 21 93 / 51 05 - 0
Fax +49 (0) 21 93 / 51 05 - 269**

**info@provita.de
www.provita.de**

